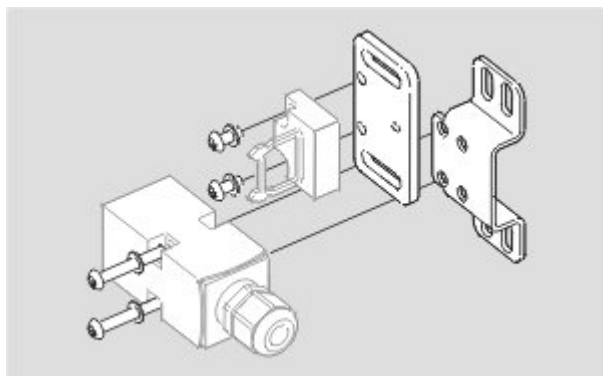


Datasheet - Mounting set MS AZ 17 P

Safety switch with separate actuator / AZ 17 / Accessories AZ 17



(Minor differences between the printed image and the original product may exist!)

Ordering details

Product type description	Montagebausatz MS AZ 17 P
Article number	101150363
EAN Code	4030661287744
eCl@ss	27-27-92-91

Global Properties

Permanent light	Montagebausatz
Weight	115

Mechanical data

mounting	Mounting parallel to safety guard
----------	-----------------------------------

notice

The mounting sets can only be used in conjunction with actuator AZ 17-B6.

Included in delivery

Included in delivery

- Roundhead screw M 4 x 30 per ISO 7380
- Roundhead screw M 4 x 10 per ISO 7380
- Washer DIN 433-4,3
- U-profile AZ 17
- Mounting angle AZ 17
- Mounting plate AZ 17/AZM 170

Documents

Operating instructions (en) 143 kB, 11.04.2018

Code: mrl_ms_az17_en

Operating instructions (nl) 136 kB, 13.04.2018

Code: mrl_ms_az17_nl

Operating instructions (pl) 173 kB, 13.04.2018

Code: mrl_ms_az17_pl

Operating instructions (fr) 136 kB, 13.04.2018

Code: mrl_ms_az17_fr

Operating instructions (it) 137 kB, 13.04.2018

Code: mrl_ms_az17_it

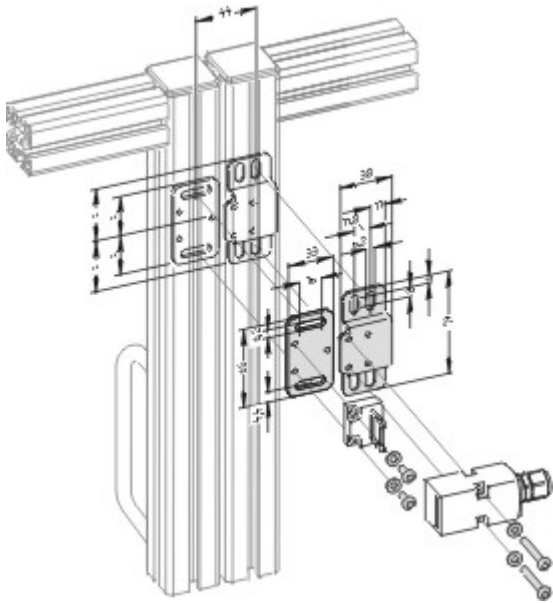
Operating instructions (pt) 137 kB, 13.04.2018

Code: mrl_ms_az17_pt

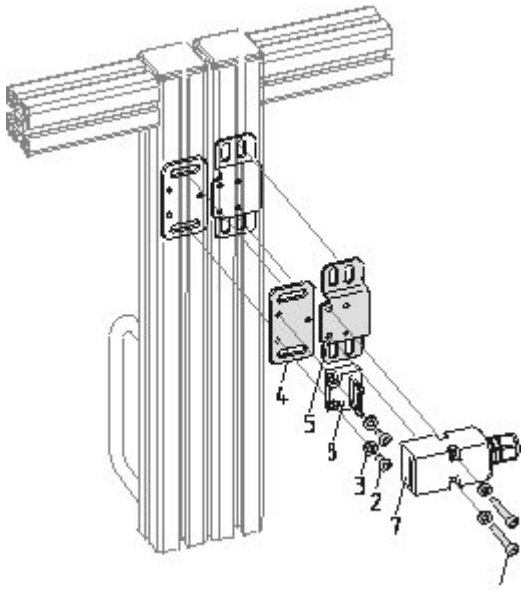
Operating instructions (de) 142 kB, 11.04.2018

Code: mrl_ms_az17_de

Images



Product graph



Product graph (exploded-view drawing)

K.A. Schmersal GmbH & Co. KG, Möddinghofe 30, D-42279 Wuppertal
The data and values have been checked thoroughly. Technical modifications and errors excepted.
Generiert am 15.08.2019 - 23:26:48h Kasbase 3.3.0.F.64I